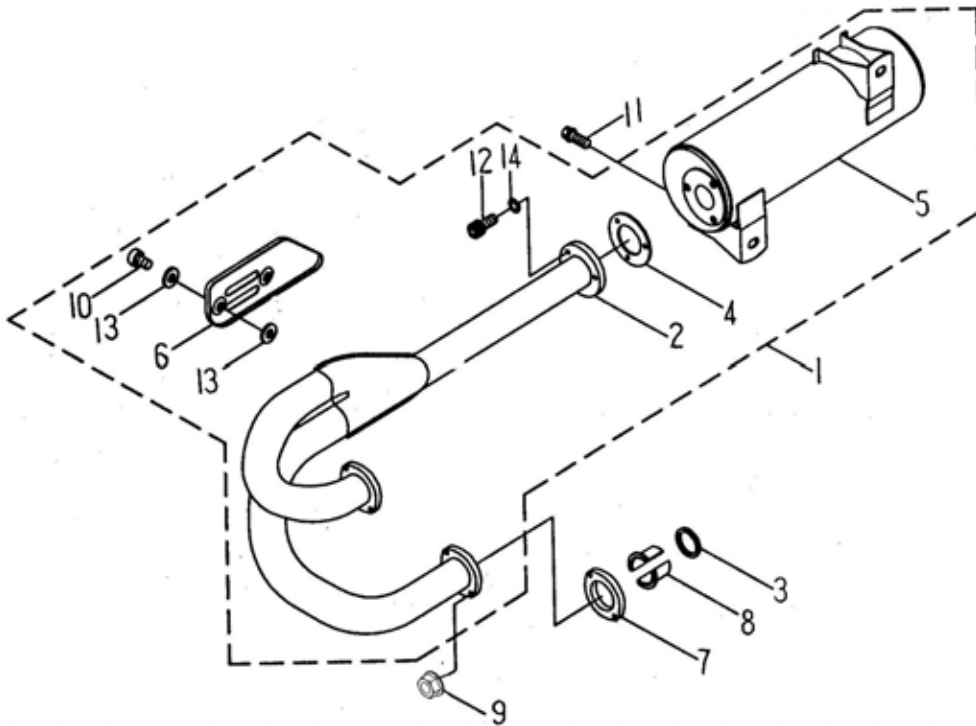
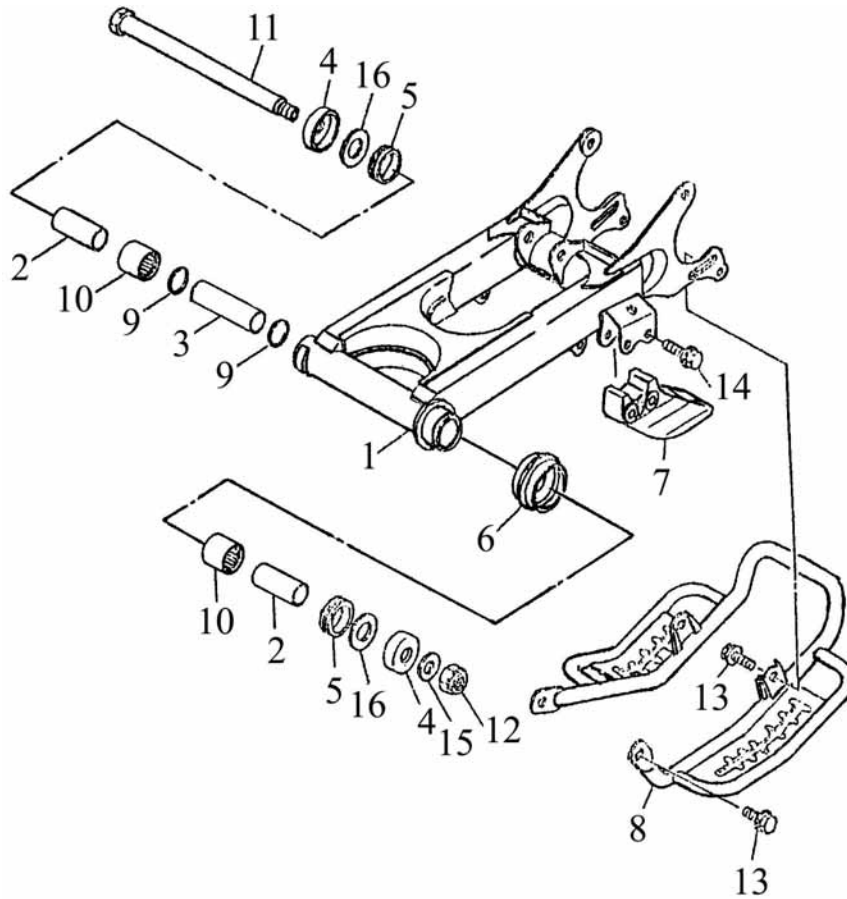


EXHAUST MUFFLER



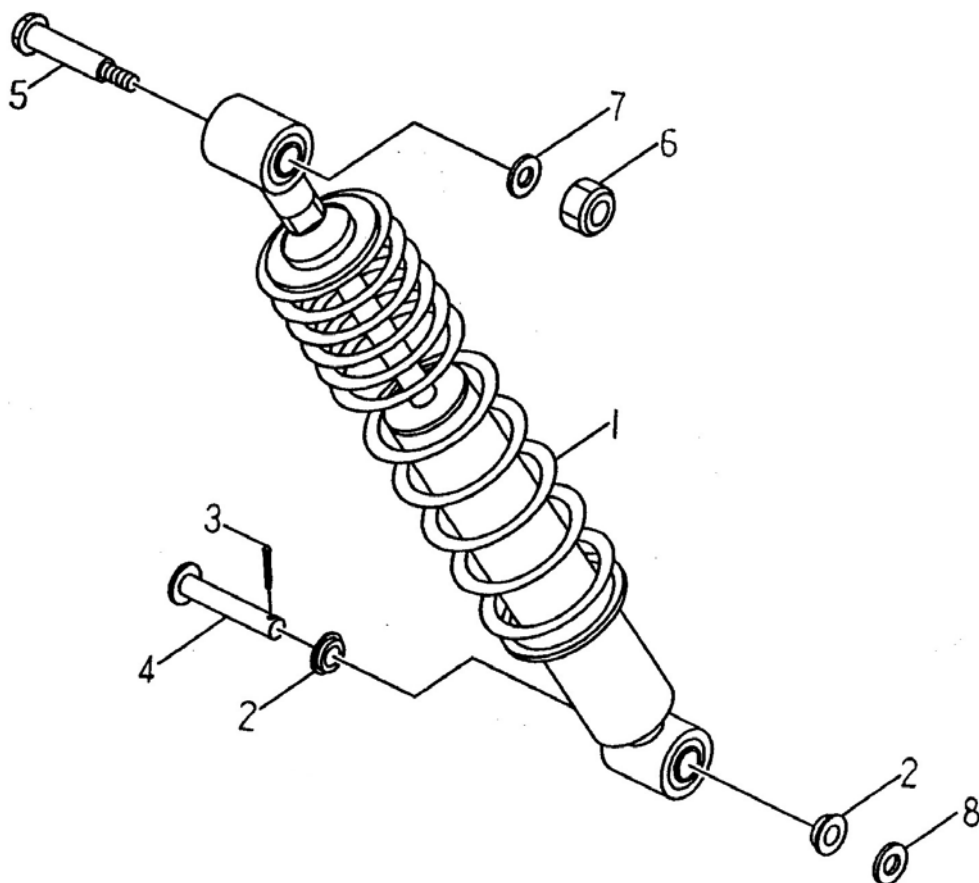
NO.	PARTS NO.	PARTS NAME	QTY	NOTE
1	31610-CBT-02C	EXHAUST MUFFLER ASS'Y	1	
2	31611-CBT-00	PIPE,EXHAUST	1	
3	31613-CHP-00	GASKET,EXHAUST PIPE 31.5*39.5*3.5	1	
4	31614-RAM-00	GASKET,MUFFLER	1	
5	31617-CBT-02C	MUFFLER COMP	1	
6	31618-CBT-00	PROTECTOR,EXHAUST	1	
7	31621-CBT-00	JOINT,EXHAUST PIPE	2	
8	31623-CBT-00	COLLAR,EXHAUST PIPE JOINT	4	
9	95401-081208-B	NUT,FLANGE	4	
10	96316-06010-K	SCREW,PAN HEAD	2	
11	96414-08016-B	BOLT,FLANGE	1	
12	96510-06020-K	BOLT,SOCKET	3	
13	97210-061215	WASHER,PLATE	4	
14	97301-061115-K	WASHER,SPRING 6.5*11*1.5	3	

REAR ARM



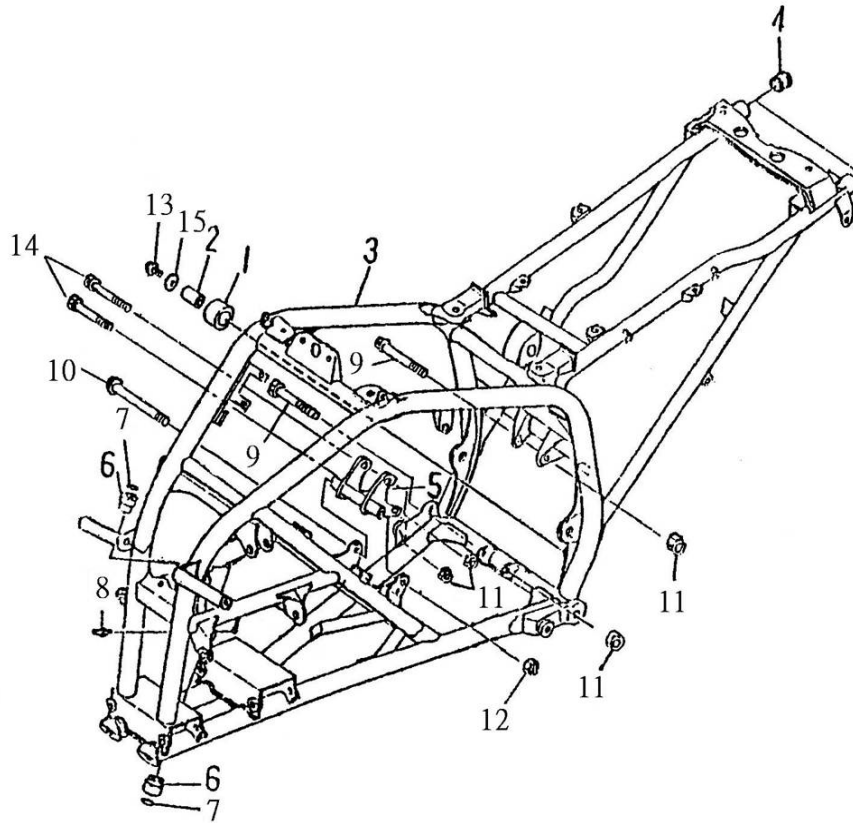
NO.	PARTS NO.	PARTS NAME	QTY	NOTE
1	32100-CHH-00	REAR ARM	1	
	32100-RAM-00	REAR ARM	1	
2	32115-RAM-00	BUSH	2	
3	32116-RAM-00	SPACER	1	
4	32118-RAM-00	COVER, THRUST	2	
5	32119-RAM-00	OIL SEAL	2	
6	32160-RAM-00	SEAL, GUARD	1	
7	32165-RAM-00	SUPPORT, CHAIN	1	
8	32190-CBW-00	COVER	1	
9	93210-25200	O-RING 2.5*20	2	
10	93310-222820	NEEDLE BEARING HK-2220	2	
11	94610-15258-B	SHAFT, PIVOT	1	
12	95301-142212-B	NUT, LOCK 14MM	1	
13	96414-08012-B	BOLT, FLANGE	4	
14	96414-08040-B	BOLT, FLANGE	2	
15	97201-142820-B	WASHER, PLATE 14.2*28.4*2.0	1	
16	97201-243820	WASHER, PLATE	2	

REAR SUSPENSION



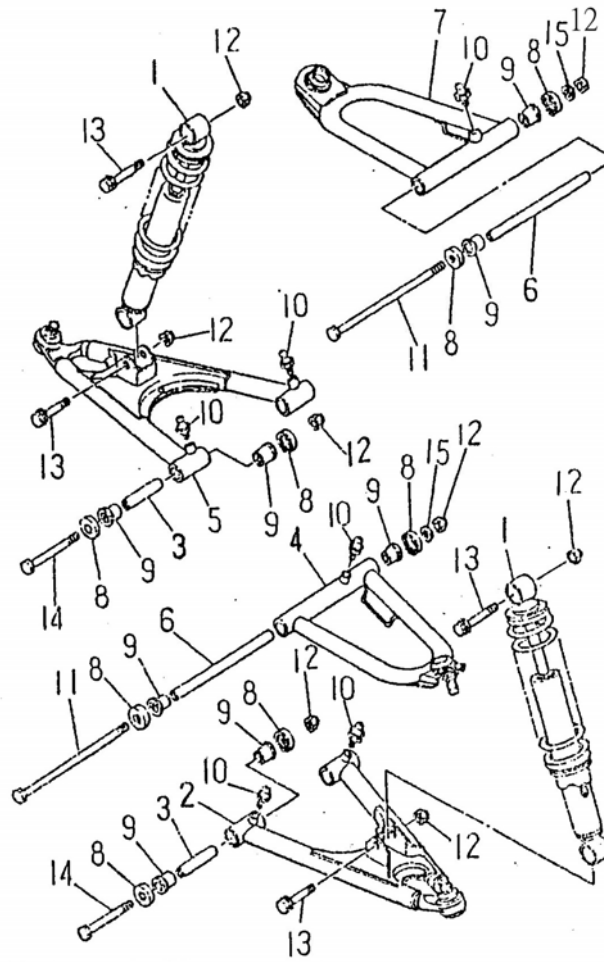
NO.	PARTS NO.	PARTS NAME	QTY	NOTE
1	32210-CBT-02	SHOCK ABSORBER ASS'Y,REAR	1	
2	32231-RAM-00	COVER,THRUST	2	
3	90240-29025-B	PIN,COTTER 2.9*25	1	
4	94610-12070-B	PIN,CLEVIS	1	
5	94710-10066-B	BOLT	1	
6	95311-101710-B	NUT,NYLON	1	
7	97201-102220-B	WASHER,PLATE 10.5*22*2	1	
8	97201-122223-B	WASHER,PLATE 12.5*22*2.3	1	

FRAME



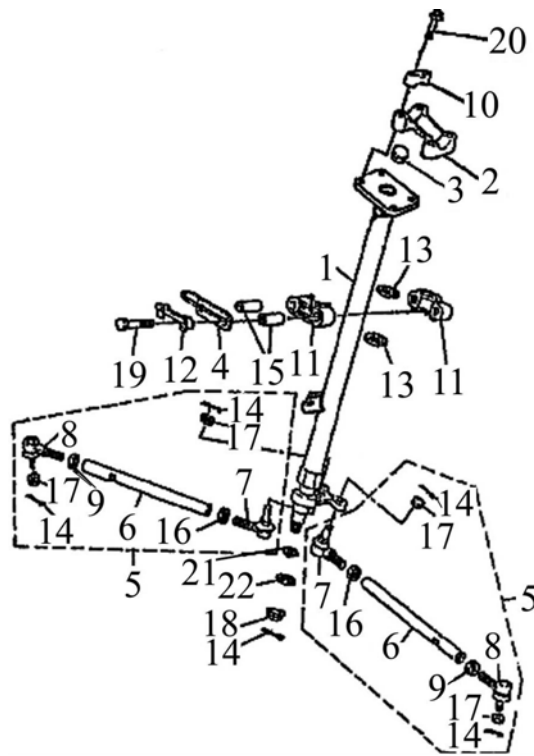
NO.	PARTS NO.	PARTS NAME	QTY	NOTE
1	32167-RAM-00	TENSIONER	2	
2	32168-RAM-00	BUSH	2	
3	41110-CHW-01	FRAME COMP	1	
4	41154-RAM-00	PLUG, SPECIAL SHAPE	2	
5	41181-CBT-00	ENGINE HANGER F	1	
6	46412-RAM-00	BUSH, SOLID	2	
7	93210-24148	O-RING 24*148	2	
8	94340-06010-B	NIPPLE, GREASE M6*P1.0	1	
9	94610-10113-B	BOLT, FLANGE	2	
10	94610-12128-B	BOLT, FLANGE	1	
11	95311-101710-B	NUT, NYLON	4	
12	95311-121912-B	NUT, NYLON	1	
13	96414-08012-B	BOLT, FLANGE	2	
14	96414-10070-B	BOLT, FLANGE	2	
15	97201-082420-B	WASHER, PLATE 87*24*20	2	

FRONT SUSPENSION



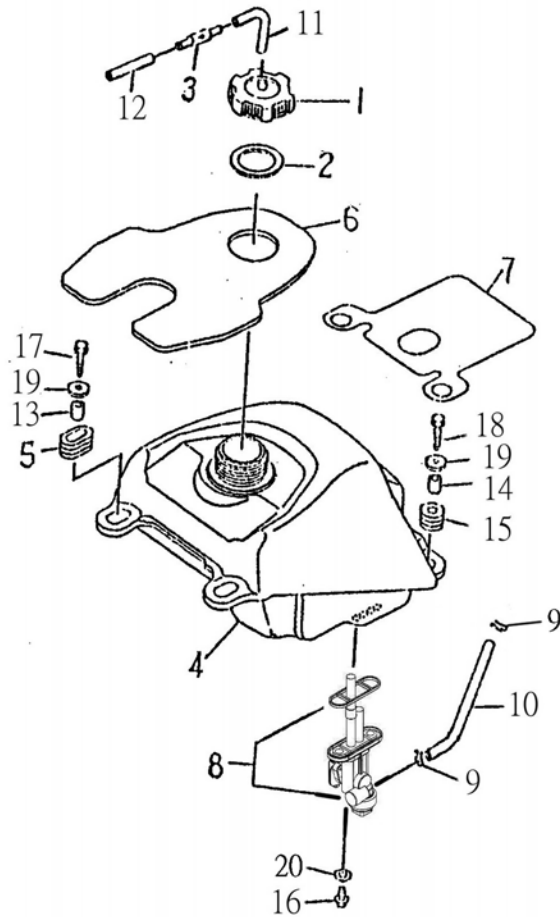
NO.	PARTS NO.	PARTS NAME	QTY	NOTE
1	42126-RAM-00	SHOCK ABSORBER ASS'Y	2	
2	42161-RAM-00	FRT.LWR,ARM LEFT	1	
3	42163-RAM-00	COLLAR	4	
4	42166-RAM-00	FRT.UPPER,ARM LEFT	1	
5	42171-RAM-00	FRT.LWR,ARM RIGHT	1	
6	42173-RAM-00	COLLAR	2	
7	42176-RAM-00	FRT.UPPER,ARM RIGHT	1	
8	42183-RAM-00	COVER,THRUST	12	
9	93330-152118	BUSH,SOLID	12	
10	94340-06010-B	NIPPLE,GREASE M6*P1.0	6	
11	94610-10208-B	SHAFT,PIVOT	2	
12	95311-101710-B	NUT,NYLON	10	
13	96414-10055-B	BOLT,FLANGE	4	
14	96414-10080-B	BOLT,FLANGE	4	
15	97201-102020-B	WASHER,PLATE 10.5*20*2	2	

STEERING



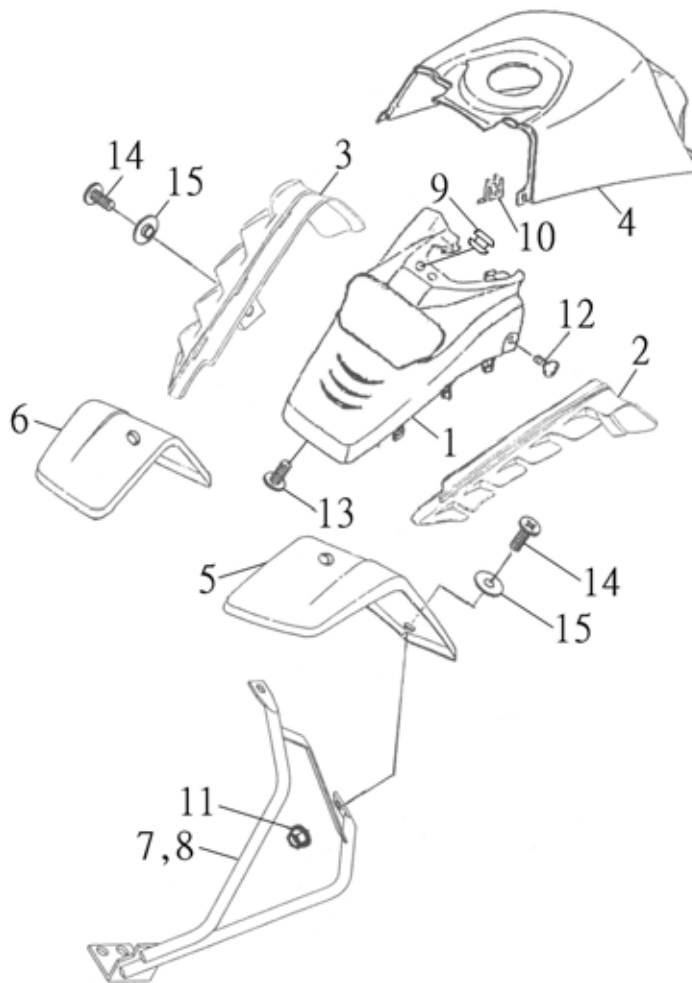
NO.	PARTS NO.	PARTS NAME	QTY	NOTE
1	42101-RAM-03	COLUMN, STEERING	1	
2	42106-SK9-00	BRIDGE, TOP	1	
3	42111-RAM-00	PLUG, TAPER	1	
4	42118-RAM-00	BRACKET, STRG LOWER	1	
5	42140-RAM-00	ROD, TIE ASS'Y	2	
6	42141-RAM-00	ROD, TIE	2	
7	42142-RAM-00	JOINT, UNIVERSAL 1	2	
8	42143-RAM-00	JOINT, UNIVERSAL 2	2	
9	42146-RAM-00	NUT	2	
10	46125-RAM-00	HOLDER, HANDLE UPPER	2	
11	46411-RAM-00	BEARING, STEERING	2	
12	46416-RAM-00	WASHER, LOCK	1	
13	46417-RAM-00	OIL SEAL	2	
14	90240-23020-B	COTTER PIN 2.3*20	5	
15	93510-081442-C	COLLAR	2	
16	95201-101408-C	NUT, HEXAGON	2	
17	95321-101710-C	NUT, CASTLE	4	
18	95401-101409-B	NUT, FLANGE	1	
19	96210-08060-B	BOLT, HEXAGON	2	
20	96414-08050-B	BOLT, FLANGE	4	
21	97201-102620-B	WASHER, PLATE	1	
22	97310-101720-B	WASHER, SPRING	1	

FUEL TANK



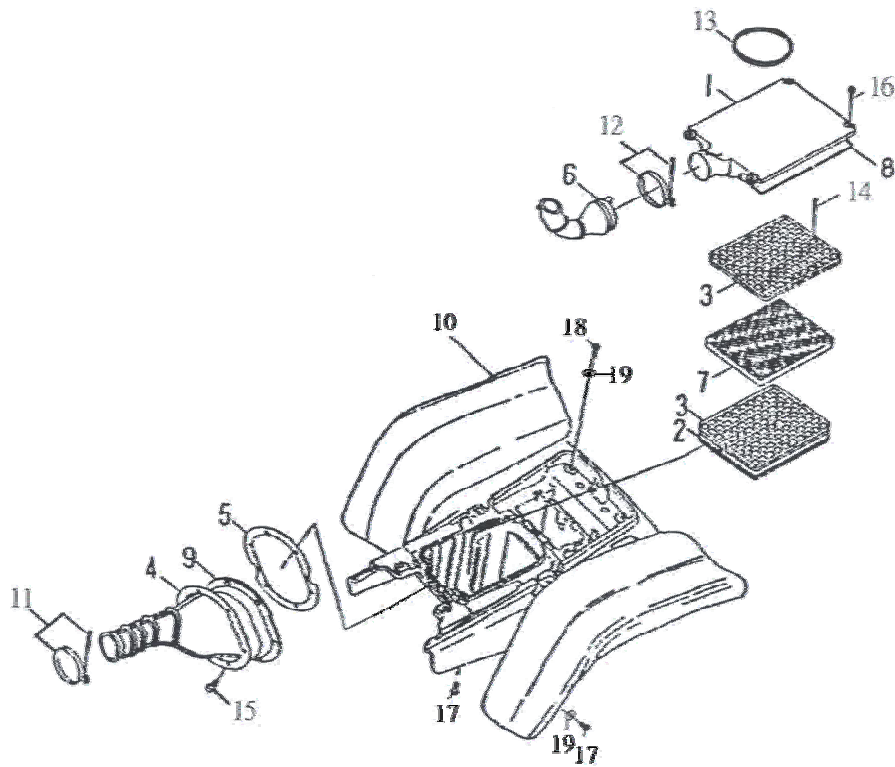
NO.	PARTS NO.	PARTS NAME	QTY	NOTE
1	43102-RAM-00	CAP ASS'Y	1	
2	43103-RAM-00	CAP WASHER	1	
3	43108-SK5-00	CHECK, VALVE	1	
4	43110-CBT-01	FUEL TANK	1	
5	43151-RAM-00	GROMMET F	2	
6	43153-RAM-00	TRIM, COVER PANEL	1	
7	43154-RAM-00	GUARD	1	
8	43500-CBT-00	FUEL COCK ASS'Y	1	
9	90210-12010	CLIP	2	
10	90310-50135	HOSE, FUEL	1	
11	90310-50050	HOSE 5*8*50	1	
12	90310-50390	HOSE 5*8*390	1	
13	93510-061015-B	COLLAR F	2	
14	93510-061021-B	COLLAR R	2	
15	93580-102416	GROMMET R	2	
16	96318-06012-B	SCREW, PAN HEAD	2	
17	96414-06025-B	BOLT, FLANGE	2	
18	96414-06032-B	BOLT, FLANGE	2	
19	97201-062220-B	WASHER, PLATE	4	
20	97210-061315	WASHER, PLATE	2	

FRONT FENDER 前土除



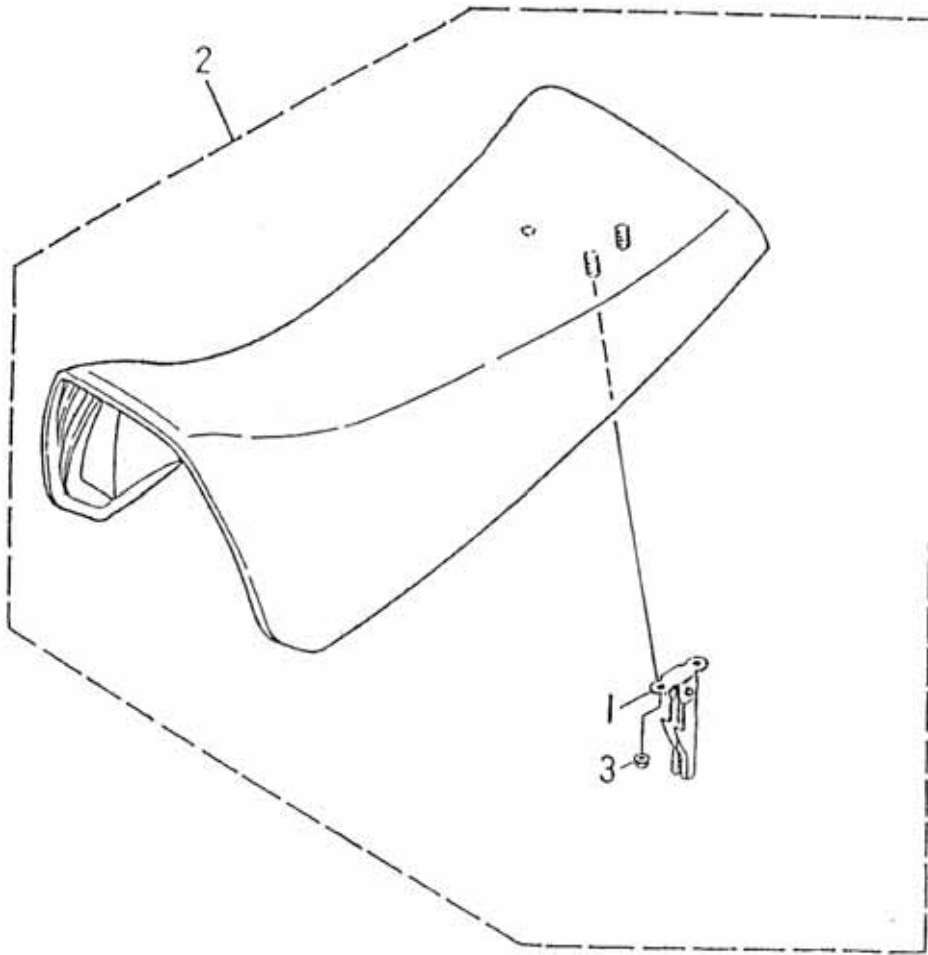
NO.	PARTS NO.	PARTS NAME		QTY	NOTE
1	51151-STG-00	PANEL, FRONT	前燈座	1	
2	51162-STG-00	COVER, LEFT TOOL	油箱左飾條	1	
3	51163-STG-00	COVER, RIGHT TOOL	油箱右飾條	1	
4	51532-RAM-00	COVER, TOP	油箱上蓋	1	
5	51552-STG-00	FENDER, FRONT L	左前土除	1	
6	51553-STG-00	FENDER, FRONT R	右前土除	1	
7	51554-STG-00	STAY, FENDER L	左前土除固定座	1	
8	51556-STG-00	STAY, FENDER R	右前土除固定座	1	
9	55551-RAM-00	STOPPER		1	
10	95101-05012	NUT, SPRING	U型板螺帽	2	
11	95401-061006-B	NUT, FLANGE	凸緣螺帽	4	
12	96112-51216-K	SCREW, TAPPING	自攻螺絲	2	
13	96318-06012-B	SCREW, PAN HEAD	十字孔頭螺絲	1	
14	96318-06015-B	SCREW, PAN HEAD	十字孔頭螺絲	6	
15	97321-061825-B	WASHER, FLANGE		6	

SIDE COVER



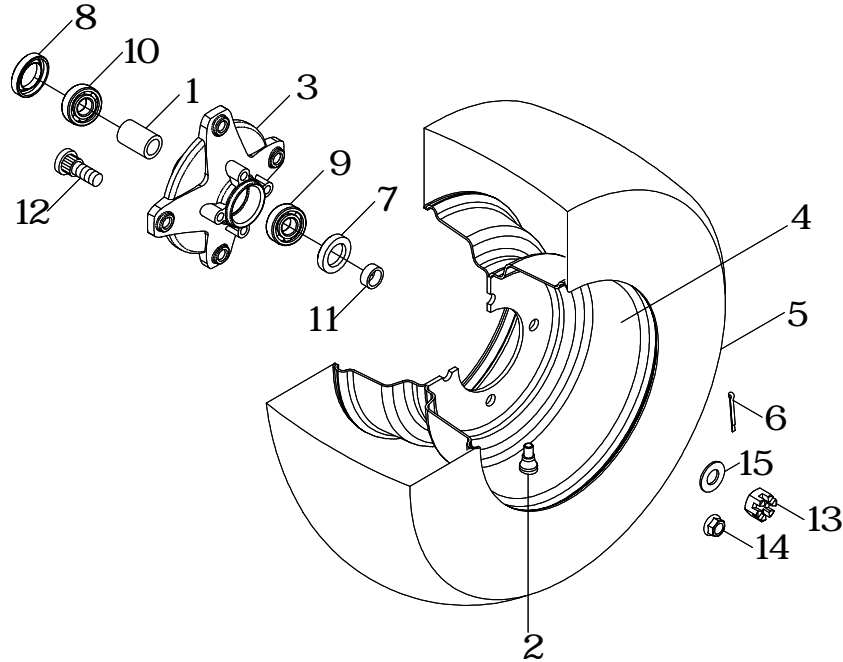
NO.	PARTS NO.	PARTS NAME	QTY	NOTE
1	13412-RAM-00	CAP, CLEANER CASE	1	
2	13432-RAM-00	SEAL, ELEMENT	1	
3	13433-RAM-00	PLATE, ELEMENT SET	2	
4	13434-RAM-00	PLATE, JOINT	1	
5	13435-RAM-00	STAY, JOINT	1	
6	13437-RAM-00	DUCT	1	
7	13451-RAM-00	ELEMENT, AIR CLEANER	1	
8	13452-RAM-00	SEAL, AIR CLEANER COVER	1	
9	13453-RAM-00	TUBE, AIR CLEANER JOINT	1	
10	51171-RAM-00	COVER, SIDE	1	
11	90260-80047	CLAMP, HOSE	1	
12	90260-80057	CLAMP, HOSE	1	
13	93210-35900	O-RING	1	
14	96110-43018-K	SCREW, TAPPING	8	
15	96310-05014-B	SCREW, PAN HEAD	6	
16	96313-06020-K	SCREW, PAN HEAD WITH WASHER	4	
17	96318-06012-B	SCREW, PAN HEAD	3	
18	96318-06015-B	SCREW, PAN HEAD	6	
19	97321-061825-B	WASHER, FLANGE	8	

SEAT



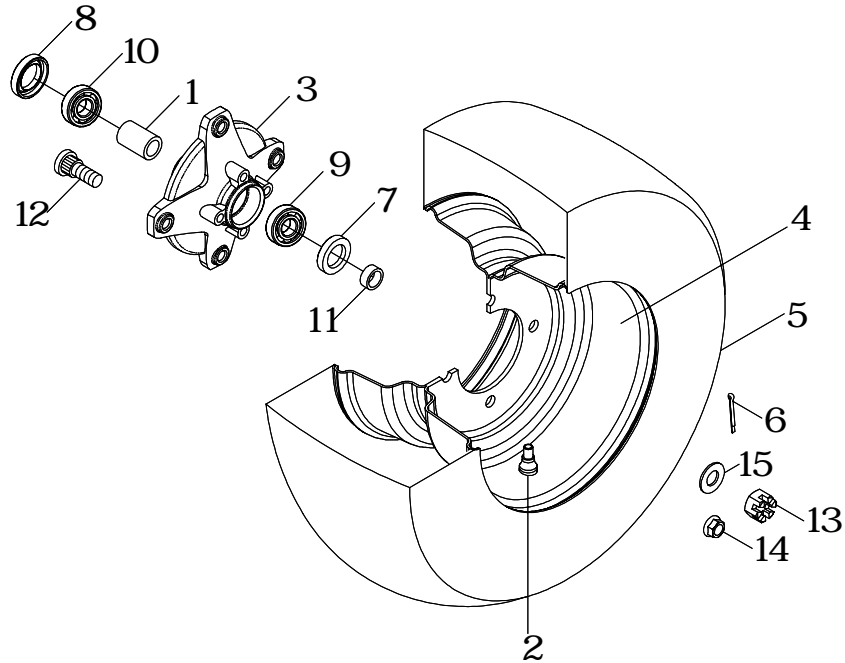
NO.	PARTS NO.	PARTS NAME	QTY	NOTE
1	52710-RAM-00	CATCH COMP, SEAT	1	
2	52730-CBT-00	SINGLE SEAT ASS'Y	1	
3	95401-061006-C	NUT, FLANGE	2	

FRONT WHEEL (STEEL)



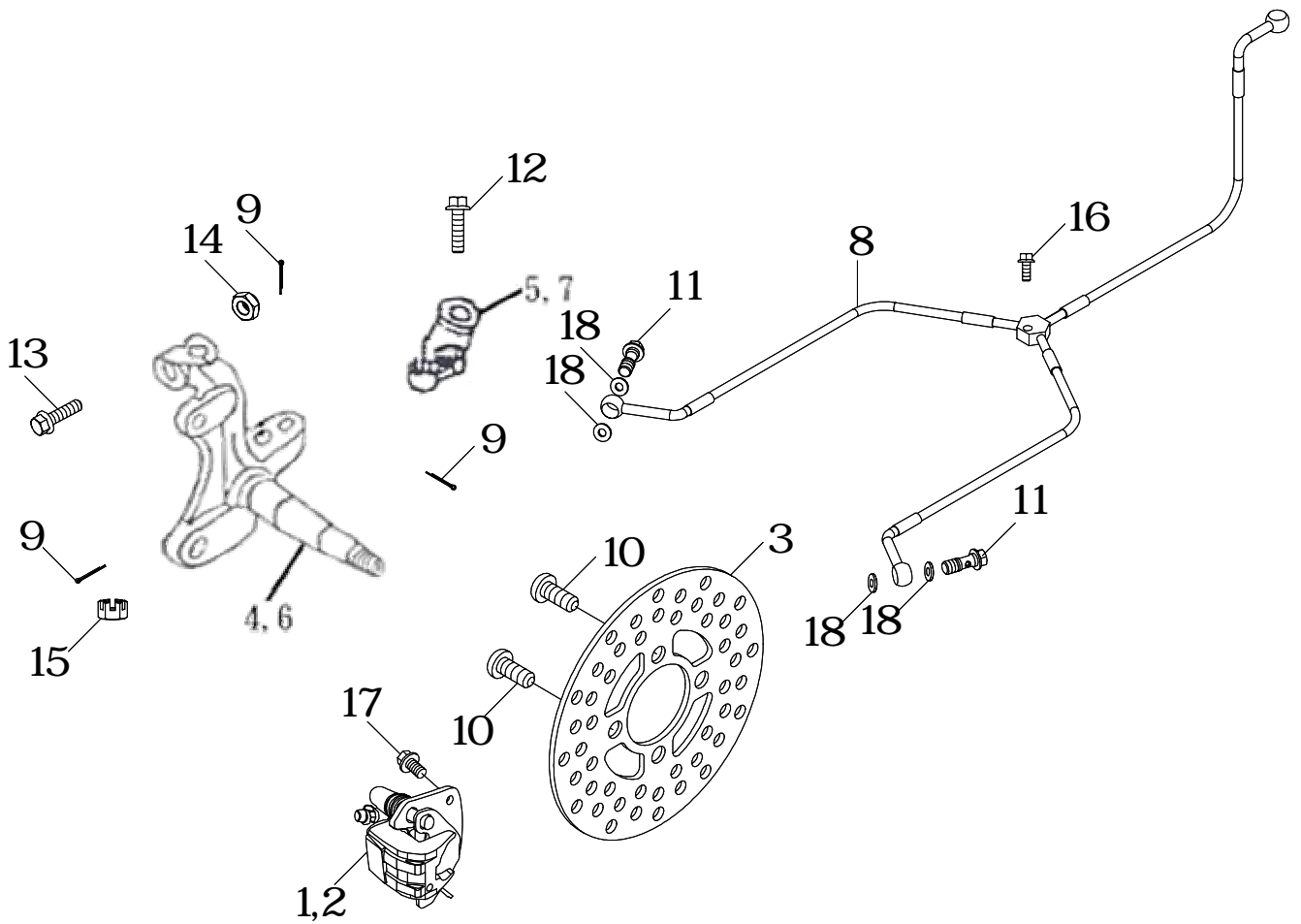
NO.	PARTS NO.	PARTS NAME	QTY	NOTE
1	42515-RAM-00	SPACER, BEARING	2	
2	42570-RAM-00	VALVE, RIM	2	
3	42581-RAM-01	HUB, FRONT	2	
4	42582-RAM-00	WHEEL, FRONT AT10°5.5AT	2	
5	42590-CBT-00	TIRE, FRONT 175/70-10C-9272 42N	2	on road
	42590-CBT-01	TIRE, FRONT AT21°7-10DI-2004 1 23J	2	off road
	42590-CBT-02	TIRE, FRONT 21°7-10K572 25N	2	on road
6	90240-29025-B	COTTER PIN 2.9*25	2	
7	93110-22357	OIL SEAL TC 22*35*7	2	
8	93110-26427	OIL SEAL TC26*42*7/10	2	
9	93320-153511S	BALL BEARING 6202 CS05/2A	2	
10	93320-204212M	BALL BEARING 6004CM/2A	2	
11	93510-152209-C	COLLAR	2	
12	94710-10037-C	BOLT, STUD	8	
13	95321-142215-C	NUT, CASTLE	2	
14	95401-101409-C	NUT, FLANGE	8	
15	97201-142820-C	WASHER, PLATE 14.2*28.4*2	2	

FRONT WHEEL (ALLOY)



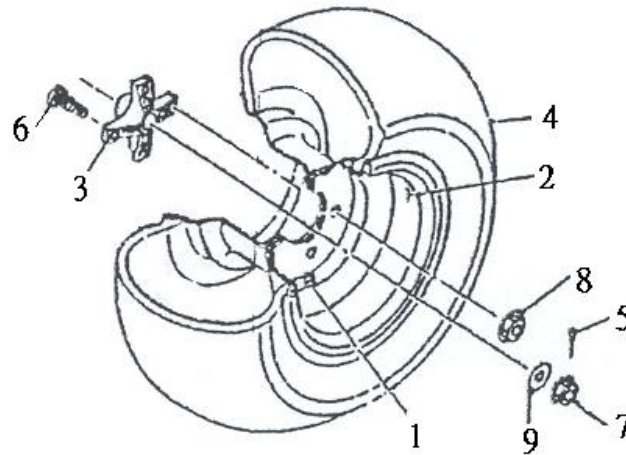
NO.	PARTS NO.	PARTS NAME	QTY	NOTE
1	42515-RAM-00	SPACER, BEARING	2	
2	42570-CBW-00	VALVE, RIM	2	
3	42581-RAM-01	HUB, FRONT	2	
4	42582-CBW-02	WHEEL, FRONT AT10*5.5AT	2	
5	42590-CBT-00	TIRE, FRONT 175/70-10C-9272 42N	2	on road
	42590-CBT-01	TIRE, FRONT AT21*7-10DI-2004 1 23J	2	off road
	42590-CBT-02	TIRE, FRONT AT21*7-10K572 25N	2	on road
6	90240-29025-B	COTTER PIN 2.9*25	2	
7	93110-22357	OIL SEAL TC 22*35*7	2	
8	93110-26427	OIL SEAL TC26*42*7/10	2	
9	93320-153511S	BALL BEARING 6202 CS05/2A	2	
10	93320-204212M	BALL BEARING 6004CM/2A	2	
11	93510-152209-C	COLLAR	2	
12	94710-10037-C	BOLT, STUD	8	
13	95321-142215-C	NUT, CASTLE	2	
14	95801-101718-C	LOCK NUT, FLANGE	8	
15	97201-142820-C	WASHER, PLATE 14.2*28.4*2	2	

KNUCKLE, STEERING



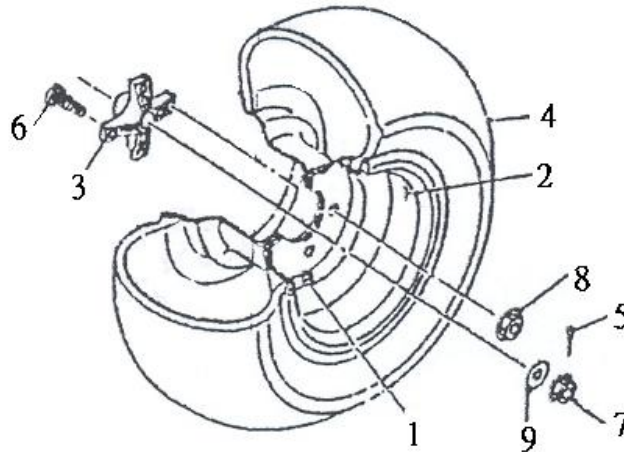
NO.	PARTS NO.	PARTS NAME	QTY	NOTE
1	45811-RAM-02	CALIPER ASS'Y, L FRONT	1	
2	45821-RAM-02	CALIPER ASS'Y, R FRONT	1	
3	45831-RAM-01	DISK, BRAKE	2	
4	45861-RAM-01	KNUCKLE, STEERING L	1	
5	45862-RAM-00	JOINT, ROD L	1	
6	45866-RAM-01	KNUCKLE, STEERING R	1	
7	45867-RAM-00	JOINT, ROD R	1	
8	61810-RAM-01	HOSE, FRONT BRAKE	1	
9	90240-23020-B	COTTER PIN 2.3*20	8	
10	94706-08017-B	BOLT, BUTTON	4	
11	94716-10022-G	BOLT, UNION	2	
12	94716-10030-C	BOLT, KEYHOLE	4	
13	94716-10040-C	BOLT, KEYHOLE	2	
14	95311-101710-C	NUT, NYLON	2	
15	95321-101710-C	NUT, CASTLE	2	
16	96414-06020-B	BOLT, FLANGE	1	
17	96414-08016-B	BOLT, FLANGE	4	
18	97230-101512	WASHER, COPPER	4	

REAR WHEEL (STEEL)



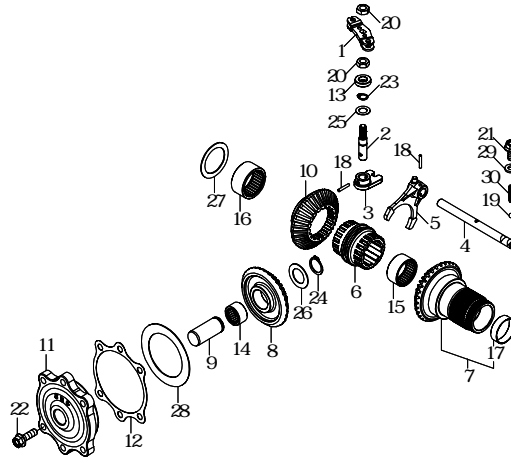
NO.	PARTS NO.	PARTS NAME	QTY	NOTE
1	42570-RAM-00	VALVE, RIM	2	
2	42882-CBT-00	WHEEL, REAR 10*8AT	2	
3	42885-CBT-00	COLLAR, WHEEL	2	
4	42890-CBT-00	TIRE, REAR 255/60-10C-9273 55N	2	
	42890-CBT-01	TIRE, REAR AT21* 10-10 36J	2	
	42890-CBT-02	TIRE, REAR AT22* 10-10K572 55N	2	
5	90240-29025-B	COTTER PIN 2.9*25	2	
6	94710-10037-C	BOLT, RIBBED NECK	8	
7	95326-142114-C	NUT, CASTLE FLANGE	2	
8	95801-101718-C	LOCK NUT, FLANGE	8	
9	97201-143240-C	WASHER, PLATE 14.2*32.5*40	2	

REAR WHEEL (ALLOY)



NO.	PARTS NO.	PARTS NAME	QTY	NOTE
1	42570-CBW-00	VALVE, RIM	2	
2	42882-CBW-03	WHEEL, REAR 10*8AT	2	
3	42885-CBT-00	COLLAR, WHEEL	2	
4	42890-CBT-00	TIRE, REAR 255/60-10C-9273 55N	2	on road
	42890-CBT-01	TIRE, REAR AT21* 10-10 36J	2	off road
	42890-CBT-02	TIRE, REAR AT22* 10-10K572 55N	2	on road
5	90240-29025-B	COTTER PIN 2.9*25	2	
6	94710-10037-C	BOLT, RIBBED NECK	8	
7	95326-142114-C	NUT, CASTLE FLANGE	2	
8	95801-101718-C	LOCK NUT, FLANGE	8	
9	97201-143240-C	WASHER, PLATE 142*32.5*40	2	

REVERSE

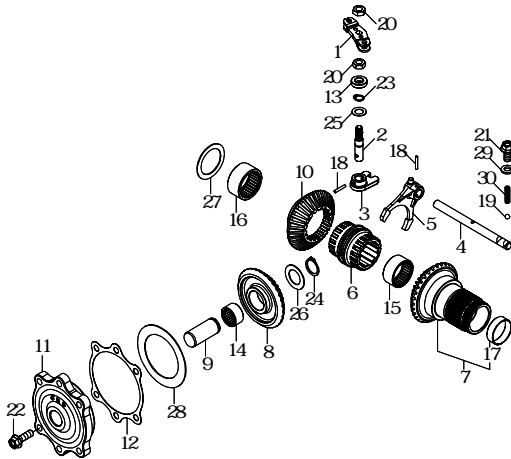


NO.	PARTS NO.	PARTS NAME	QTY	NOTE
1	24206-CBW-00	SHIFT LEVER	1	
2	24216-CBW-00	CAM AXLE, GEAR SHIFT	1	
3	24226-GOO-00	CAM, GEAR SHIFT	1	
4	24236-CBW-00	SHAFT, GEAR SHIFT FORK	1	
5	24238-CBW-00	FORK, GEAR SHIFT	1	
6	26440-CBW-00	GEAR, TRANSMISSION	1	
7	42841-CBW-00	GEAR, FORWARD	1	
8	42843-CBW-00	IDLE GEAR, REVERSE	1	
9	42845-CBW-00	AXLE, IDLE GEAR	1	
10	42846-CBW-00	GEAR, REVERSE	1	
11	42847-CBW-00	IDLE GEAR COVER	1	
12	42848-CBW-00	GASKET, IDLE GEAR COVER	1	
13	93110-10205	OIL SEAL TC 10*20*5	1	
14	93310-2026140	NEEDLE BEARING KV 20*26*14	1	
15	93310-3237170	NEEDLE BEARING KV 32*37*17	1	
16	93310-3542200	NEEDLE BEARING HK-35*42*20	1	
17	93510-323420	BUSH, COPPER	1	
18	94430-30018-K	PIN, DOWEL	2	
19	94520-06350	BALL	1	
20	95201-101706-B	NUT, HEXAGON	2	
21	96414-08016-B	BOLT, FLANGE	1	
22	96414-08025-B	BOLT, FLANGE	6	

2005.03.28

42843-CBW-00RA

TRANSMISSION

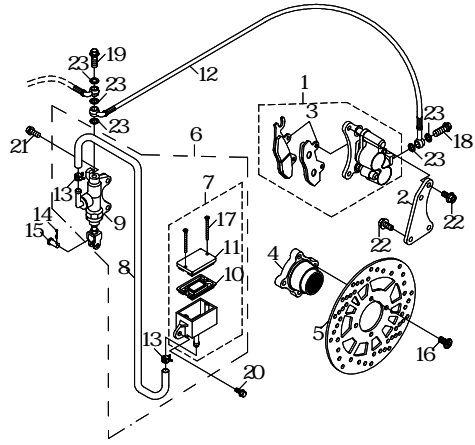


NO.	PARTS NO.	PARTS NAME	QTY	NOTE
23	97010-10010-K	CIRCLIP	1	C
24	97010-20012-K	CIRCLIP STW*20	1	C
25	97201-101805	WASHER, PLATE	1	
26	97201-203310	WASHER, PLATE 20*2*32*8*1	1	
27	97201-3544810	GASKET, GEAR	1	
28	97201-008510	GASKET, IDLE GEAR	1	
29	97231-081620	WASHER, ALUMINUM	1	
30	97501-10022	SPRING, COMPRESSION	1	

2005.03.28

42843-CBW-00RA

REAR BRAKE

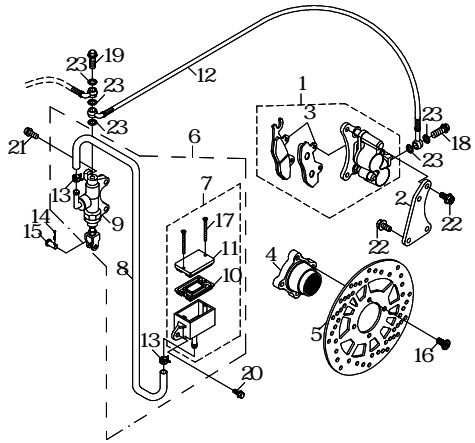


NO.	PARTS NO.	PARTS NAME	QTY	NOTE
1	45801-CBW-01	CALIPER ASSY	1	
2	45810-CBW-01	BRACKET, CALIPER	1	
3	45815-RAM-01	PAD, CALIPER	1	
4	45830-CBW-00	BRACKET, DISC	1	
5	45831-RAM-00	DISC, BRAKE	1	
6	45870-RAM-01	MASTER CYLINDER SUB ASS'Y	1	
7	45871-RAM-00	RESERVOIR	1	
8	45874-RAM-00	HOSE 8" 13" 400	1	
9	45877-RAM-01	CYLINDER KIT, MASTER	1	
10	45878-NAF-00	DIAPHRAGM, RESERVOIR	1	
11	45879-NAF-00	CAP, RESERVOIR	1	
12	61330-RAM-01	HOSE, BRAKE	1	
13	90220-80013	CLAMP	2	
14	90230-12008	COUPLER PIN	1	
15	94610-06016-B	PIN, CLEVIS	1	
16	94706-08017-B	BOLT, BUTTON	4	
17	94712-04040-K	SCREW, FLAT HEAD	2	
18	94716-10022-G	BOLT, UNION	1	
19	94716-10033-G	BOLT, UNION	1	
20	96414-06016-B	BOLT, FLANGE	1	
21	96414-06022-B	BOLT, FLANGE	2	
22	96414-08020-B	BOLT, FLANGE	2	

2005.03.28

45801-CBW01RA

REAR BRAKE

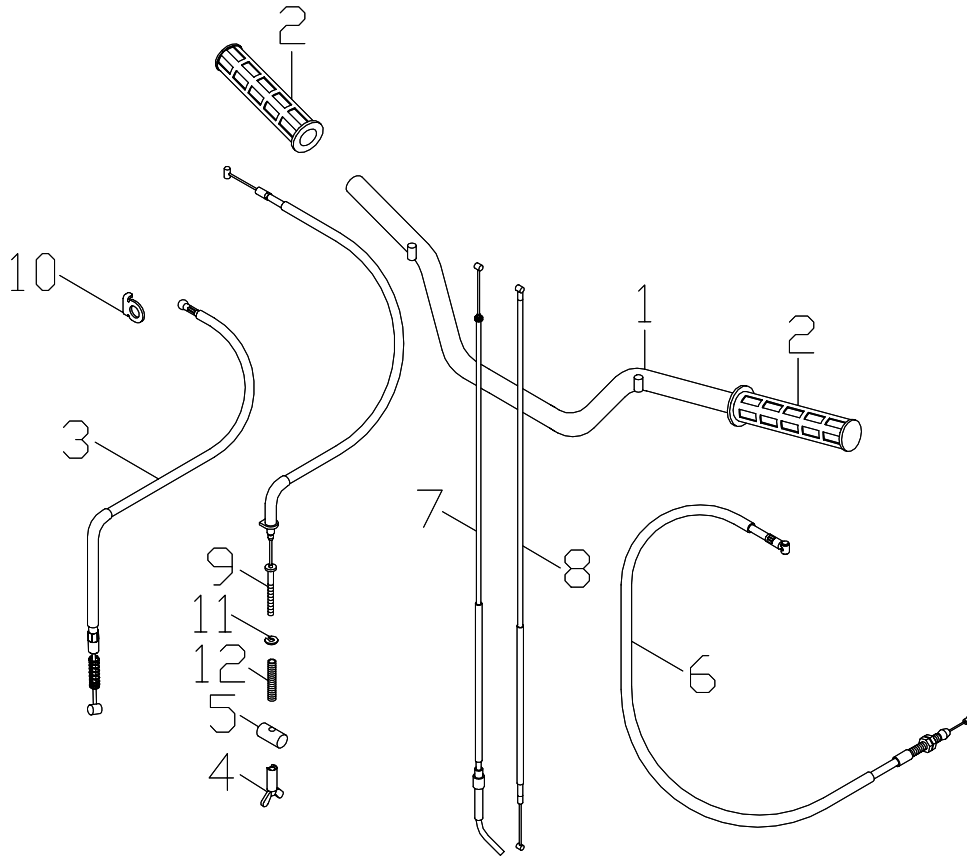


NO.	PARTS NO.	PARTS NAME	QTY	NOTE
23	97230-101512	WASHER, COPPER 10.3*15*1.2	5	

2005.03.28

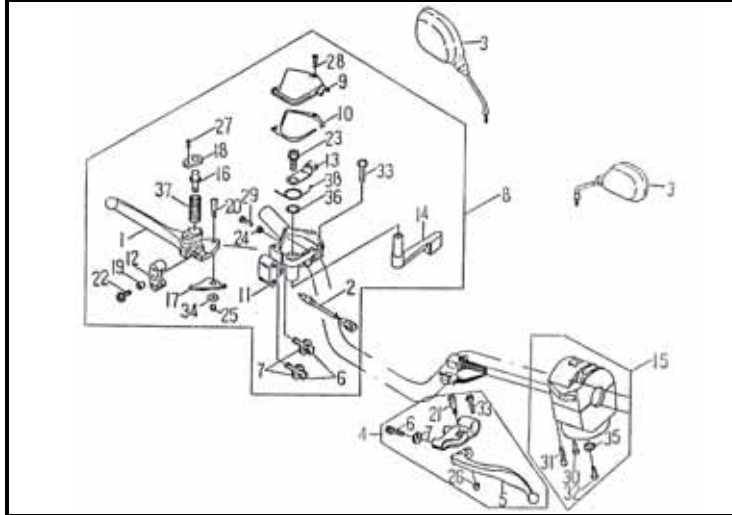
45801-CBW01RA

STEERING HANDLE CABLE



NO.	PARTS NO.	PARTS NAME	QTY	NOTE
1	46110-RAM-02	HANDLEBAR	1	
2	46240-RAM-00	GRIP	2	
3	61340-RAM-00	CABLE, HANDBRAKE	1	
4	61379-CBW-00	NUT, ADJUST	1	
5	61389-NAF-00	PIN, FIXTURE	1	
6	61420-CBT-00	CABLE, CLUTCH	1	
7	61620-STG-00	CABLE, THROTTLE	1	
8	61720-RAM-00	CABLE, CHOKE	1	
9	61820-RAM-00	CABLE, BRAKE	1	
10	62978-RAM-00	STOP PLATE, JOINT	1	
11	97011-06008-B	CIRCLIP 6*Q8	1	E
12	97501-12087-B	SPRING, COMPRESSION	1	

HANDLE SWITCH LEVER

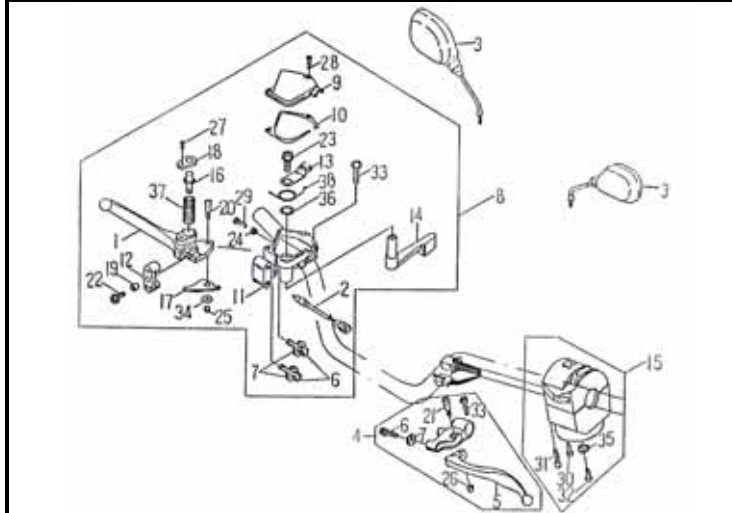


NO.	PARTS NO.	PARTS NAME	QTY	NOTE
1	45872-RAM-00	LEVER, R	1	
2	45880-RAM-00	WIRING, STOP SWITCH	1	
3	56270-ROA-00	MIRROR ASS'Y, BACK	1	
4	62910-RAM-01	LEVER ASS'Y, HANDLE L	1	
5	62912-RAM-01	LEVER, L	1	
6	62916-RAM-00	BOLT, WIRE ADJUSTING	3	
7	62917-RAM-00	NUT, WIRE ADJUSTING	3	
8	62920-RAM-01	THROTTLE LEVER ASS'Y	1	
9	62923-RAM-00	CAP, THROTTLE	1	
10	62924-RAM-00	GASKET, THROTTLE	1	
11	62925-RAM-00	THROTTLE LEVER	1	
12	62926-RAM-00	JOINT, CABLE	1	
13	62927-RAM-00	ARM, THROTTLE	1	
14	62928-RAM-00	LEVER, THROTTLE	1	
15	62930-RAM-02	HANDLE SWITCH ASS'Y L	1	
16	62971-RAM-00	PIN, LOCK	1	
17	62973-RAM-00	LOCK, LEVER	1	
18	62976-RAM-00	COVER	1	
19	93560-68507	COLLAR, LEVER 6.3*8.5*7.4	1	
20	94710-03022-G	BOLT, LEVER	1	
21	94710-03029-G	BOLT, LEVER	1	
22	94714-03016-G	BOLT	1	

20040504

62920-RAM-02A

HANDLE SWITCH LEVER

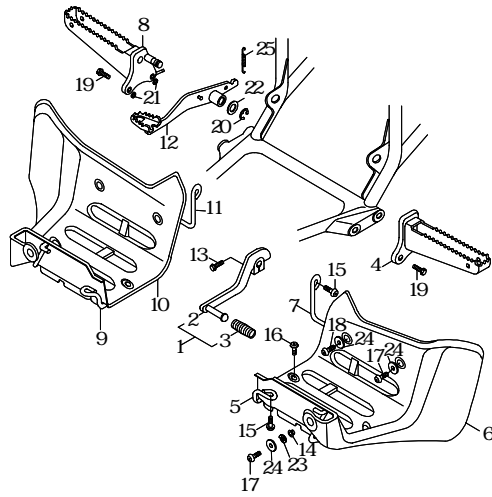


NO.	PARTS NO.	PARTS NAME	QTY	NOTE
23	94714-03012-G	BOLT	1	
24	95201-050804-G	NUT, HEXAGON	1	
25	95311-050805-K	NUT, NYLON	1	
26	95311-051006-K	NUT, NYLON	1	
27	96310-03008-B	SCREW, PAN HEAD	1	
28	96310-04015-G	SCREW, PAN HEAD	2	
29	96310-05015-G	SCREW, PAN HEAD	1	
30	96310-05030-G	SCREW, PAN HEAD	1	
31	96310-05040-G	SCREW, PAN HEAD	1	
32	96310-06010-G	SCREW, PAN HEAD	1	
33	96510-03020-G	BOLT	2	
34	97201-051516-C	WASHER, PLATE 5.3*15*1.6	1	
35	97201-061310-B	WASHER, PLATE 6.5*13*1.0	1	
36	97201-142016-C	WASHER, PLATE 14.2*19.7*1.6	1	
37	97501-08025-B	SPRING	1	
38	97508-10240-B	SPRING	1	

20040504

62920-RAM-02A

STAND FOOTREST

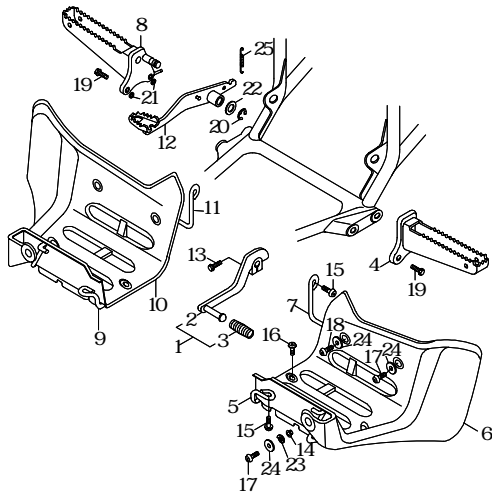


NO.	PARTS NO.	PARTS NAME	QTY	NOTE
1	53210-RAM-00	CHANGE PEDAL ASS'Y	1	
2	53211-RAM-00	CHANGE PEDAL	1	
3	53214-ROA-00	RUBBER, CHANGE PEDAL	1	
4	53231-RAM-00	FOOTREST L	1	
5	53233-RAM-00	MUDGUARD STAY L1	1	1
6	53234-RAM-00	MUDGUARD L	1	1
7	53236-RAM-00	MUDGUARD STAY L2	2	1
8	53241-RAM-01	FOOTREST R	1	1
9	53243-RAM-00	MUDGUARD STAY R1	1	1
10	53244-RAM-00	MUDGUARD R	1	1
11	53246-RAM-00	MUDGUARD STAY R2	2	1
12	53261-CBT-02	PEDAL, BRAKE	1	1
13	94714-06020-B	BOLT, FLANGE	1	
14	95401-061006-B	NUT, FLANGE	2	
15	96214-06020-B	BOLT, HEXAGON WITH WASHER	4	
16	96318-06012-B	SCREW, PAN HEAD	4	
17	96318-06015-B	SCREW, PAN HEAD	4	
18	96318-06020-B	SCREW, PAN HEAD	2	
19	96414-10025-B	BOLT, FLANGE	4	
20	97011-12010-B	CIRCLIP 12° 1.0	1	E
21	97201-102220-B	WASHER, PLANE	2	
22	97201-152620-B	WASHER, PLANE 15.2° 25.6° 2.0	1	

2005.03.23

53231-CBT-02A

STAND FOOTREST

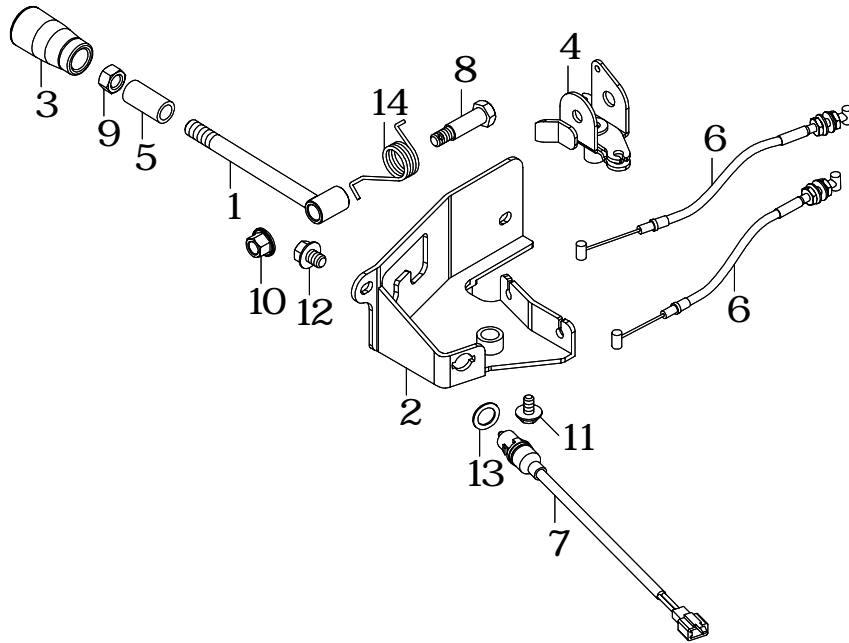


NO.	PARTS NO.	PARTS NAME	QTY	NOTE
23	97301-061215-B	WASHER, SPRING	2	
24	97321-061825-B	WASHER, FLANGE	6	
25	97506-14060-B	SPRING, TENSION	1	

2005.03.23

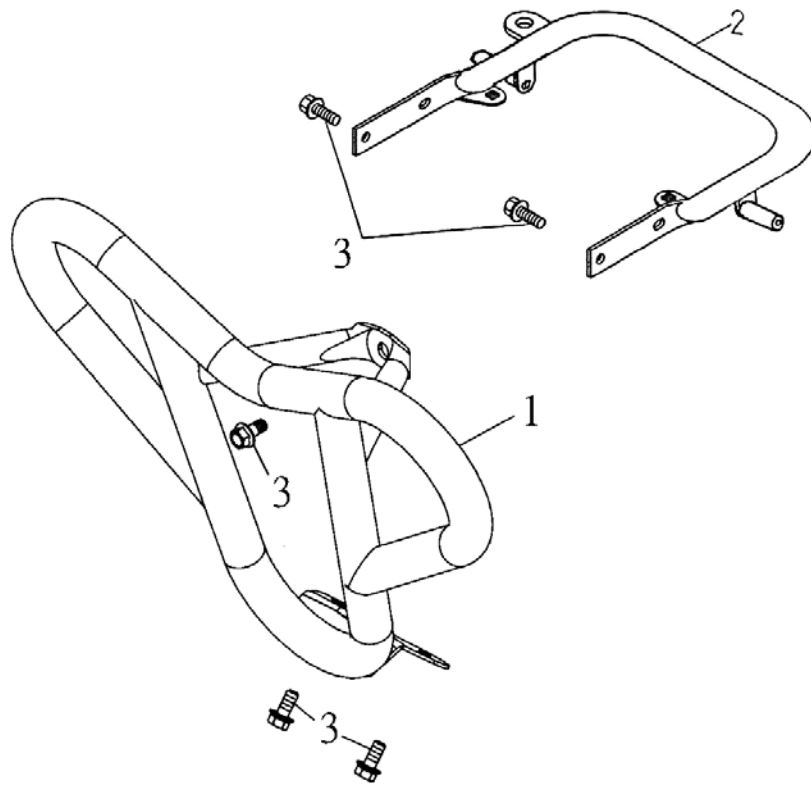
53231-CBT-02A

STICK SHIFT



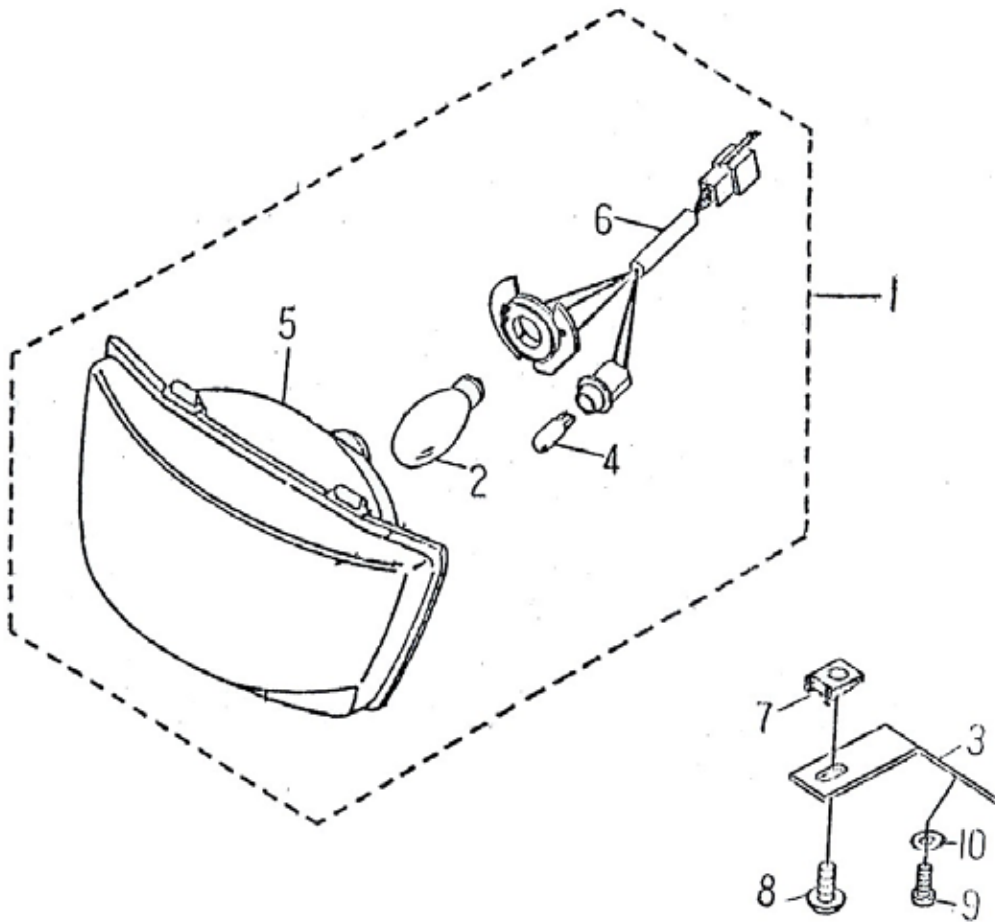
NO.	PARTS NO.	PARTS NAME	QTY	NOTE
1	53211-GKO-00	ROD SHIFT	1	
2	53212-CBW-00A	BRACKET, SHIFT	1	
3	53214-GKO-00	HEAD SHIFT	1	
4	53215-CBW-00	ARM SHIFT	1	
5	53216-GKO-00	PROTECTOR	1	
6	61920-CBW-00	CABLE SHIFT	2	
7	62500-CBW-00	SWITCH ASS'Y, REVERSE LAMP	1	
8	94716-08039-B	BOLT	1	
9	95201-101708-B	NUT, HEXAGON	1	
10	95401-081208-B	NUT, FLANGE	1	
11	96218-06012-B	BOLT, HEXAGON WITH WASHER	1	
12	96414-06012-B	BOLT, FLANGE	1	
13	97201-121810-B	WASHER, PLATE	1	
14	97508-20200-B	SPRING TORSION	1	

GUARD



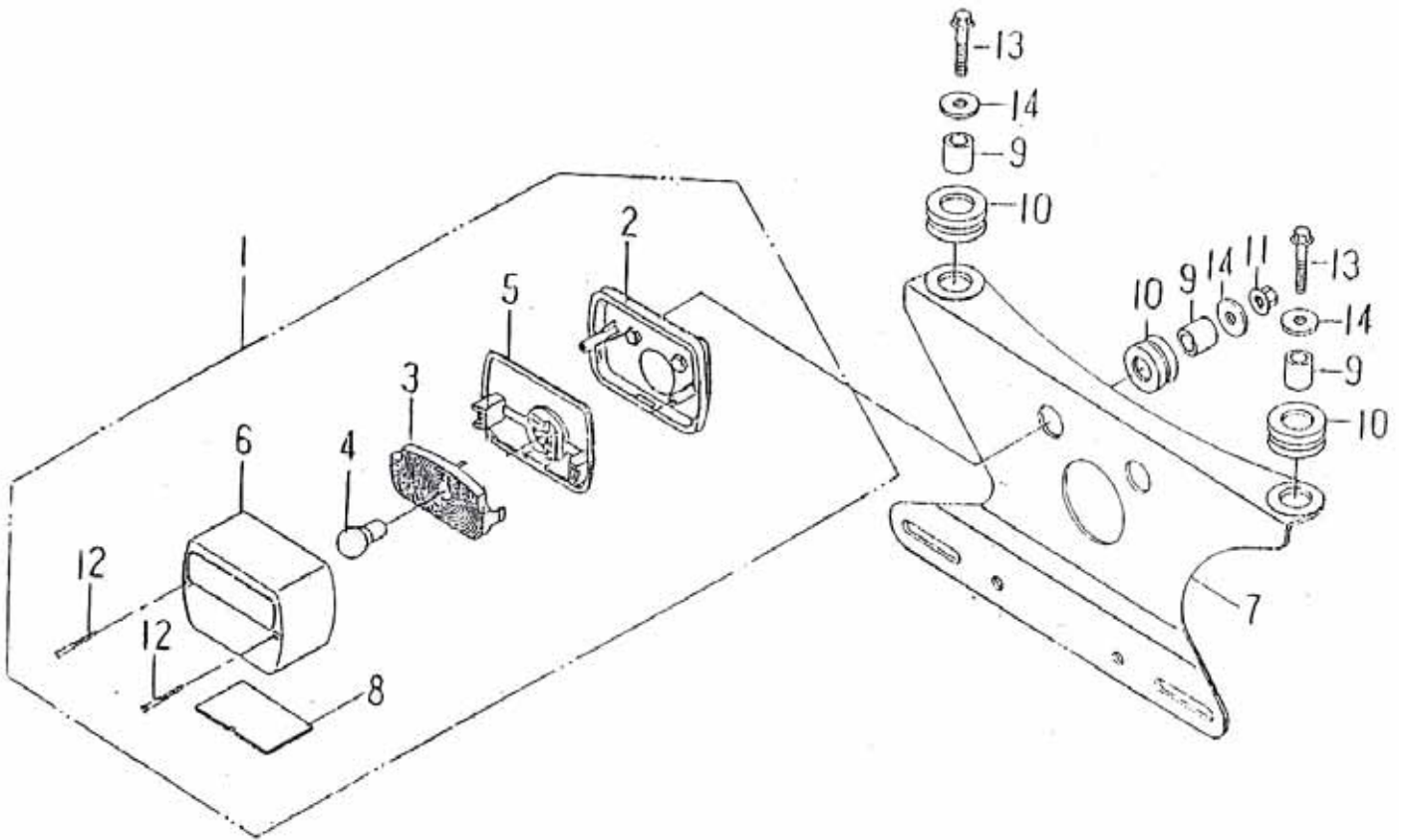
NO.	PARTS NO.	PARTS NAME	QTY	NOTE
1	41601-CBT-00	SHIELD, FRONT	1	
2	52850-RAM-04	SHIELD, REAR	1	
3	96414-08016-B	BOLT, FLANGE	7	

HEADLIGHT



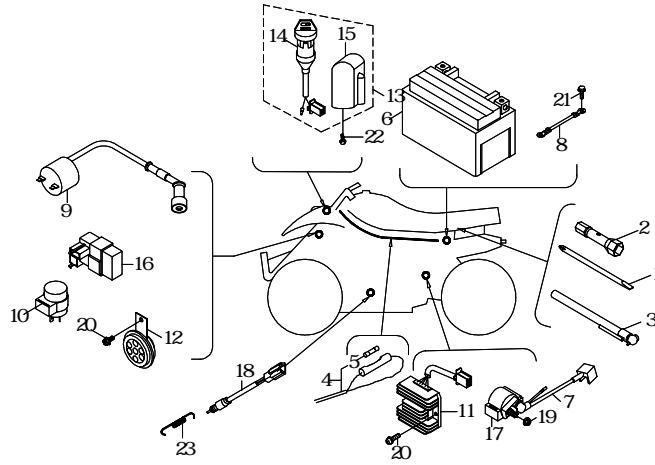
NO.	PARTS NO.	PARTS NAME		QTY	NOTE
1	55300-STG-00	HEAD LIGHT ASS'Y		1	
2	55314-NFF-00	BULB, HEAD LIGHT 12V/35/35W		1	
3	55315-STG-00	STAY, HEAD LIGHT		1	
4	55316-NGF-00	BULB, POSITION LAMP		1	
5	55320-STG-00	LENS ASS'Y		1	
6	55340-STG-00	SOCKET CORD ASS'Y		1	
7	95101-05012	NUT, SPRING	U	1	
8	96112-51616-K	SCREW, TAPPING		1	
9	96310-04010-B	SCREW, PAN HEAD		1	
10	97201-041210-K	WASHER, PLATE		1	

TAIL LIGHT



NO.	PARTS NO.	PARTS NAME	QTY	NOTE
1	55700-RAM-01	TAIL LIGHT ASS'Y	1	
2	55701-CHP-00	STAND, TAIL LIGHT	1	
3	55713-PAF-00	BULB STAND, TAIL LIGHT	1	
4	55714-PAF-00	BULB, TAIL LIGHT	1	
5	55715-PAF-00	FIXING WASHER	1	
6	55721-RAM-00	LENS, TAIL LIGHT	1	
7	55726-RAM-00	HOLDER, TAIL LIGHT	1	
8	55743-PAF-00	LENS, LICENSE LIGHT	1	
9	93510-061010	COLLAR	4	
10	93580-102212	GROMMET	4	
11	95401-061006-B	NUT, FLANGE	2	
12	96112-43818-B	SCREW, TAPPING	2	
13	96414-06020-B	BOLT, FLANGE	2	
14	97201-061820-B	WASHER, PLATE	4	

WIRE HARNESS

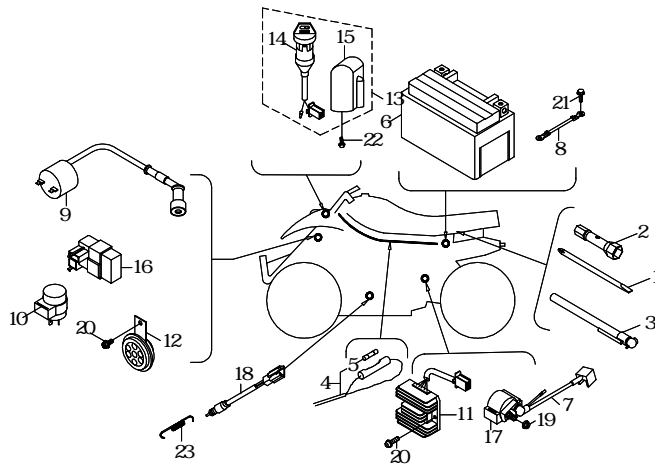


NO.	PARTS NO.	PARTS NAME	QTY	NOTE
1	56120.CBT-00	SCREW DRIVER	1	
2	56140.CBT-00	TOOL PLUG	1	
3	56190.RAM-00	GAUGE, AIR	1	
4	61120.CBW-00R	WIRE, HARNESS	1	
5	61151.CHP-00	FUSE (15A/250V)	1	
6	62100.CBT-00	BATTERY ASS'Y (YTX9A-BS)	1	
	62100.CBT-01	BATTERY ASS'Y	1	
7	62110.CBT-00	CABLE, BATTERY	1	
8	62120.RAM-00	CABLE, EARTH	1	
9	62310.CBT-00	IGNITION COIL ASSY	2	
10	62350.NAF-01	FLASHER RELAY ASSEMBLY	1	
11	62360.CBT-00	RECTIFIER & REGULATOR COMP	1	
12	62370.NAF-00	HORN	1	
13	62500.RAM-00	KEY SET	1	
14	62501.RAM-00	MAIN SWITCH ASS'Y	1	
15	62503.RAM-00	LOCK COMP, STEERING HANDLE	1	
16	62540.CBW-00	C.D.I UNIT ASSY	1	C.D.I
17	62550.CBT-00	STARTER RELAY SWMTH COMP	1	
18	62980.CHP-00	SWITCH ASSY, REAR STOP	1	
19	95401-061003-B	NUT, FLANGE	1	
20	96312-06016-K	SCREW, PAN HEAD WITH WASHER	3	
21	96414-06012-B	BOLT, FLANGE	1	

2005.03.28

61120.CBW-00RA

WIRE HARNESS

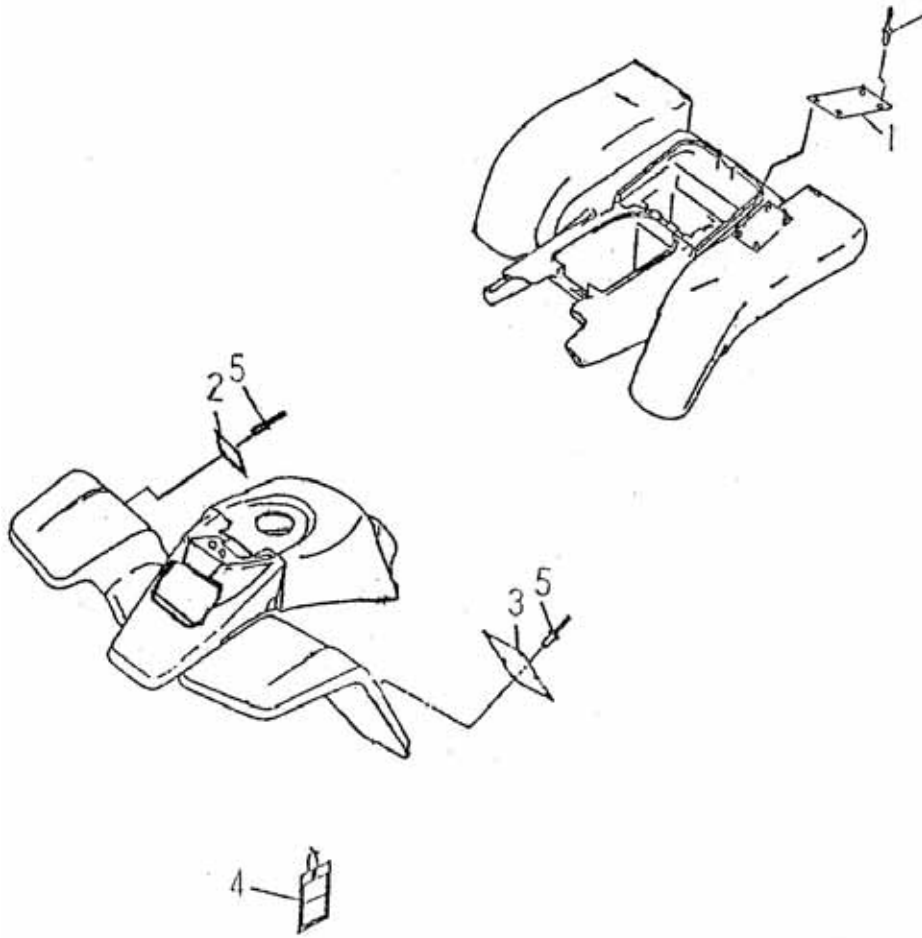


NO.	PARTS NO.	PARTS NAME	QTY	NOTE
22	96613-05012-B	BOLT, HEXAGON WITH WASHER	2	
23	97506-12140-B	SPRING, TENSION	1	

2005.03.28

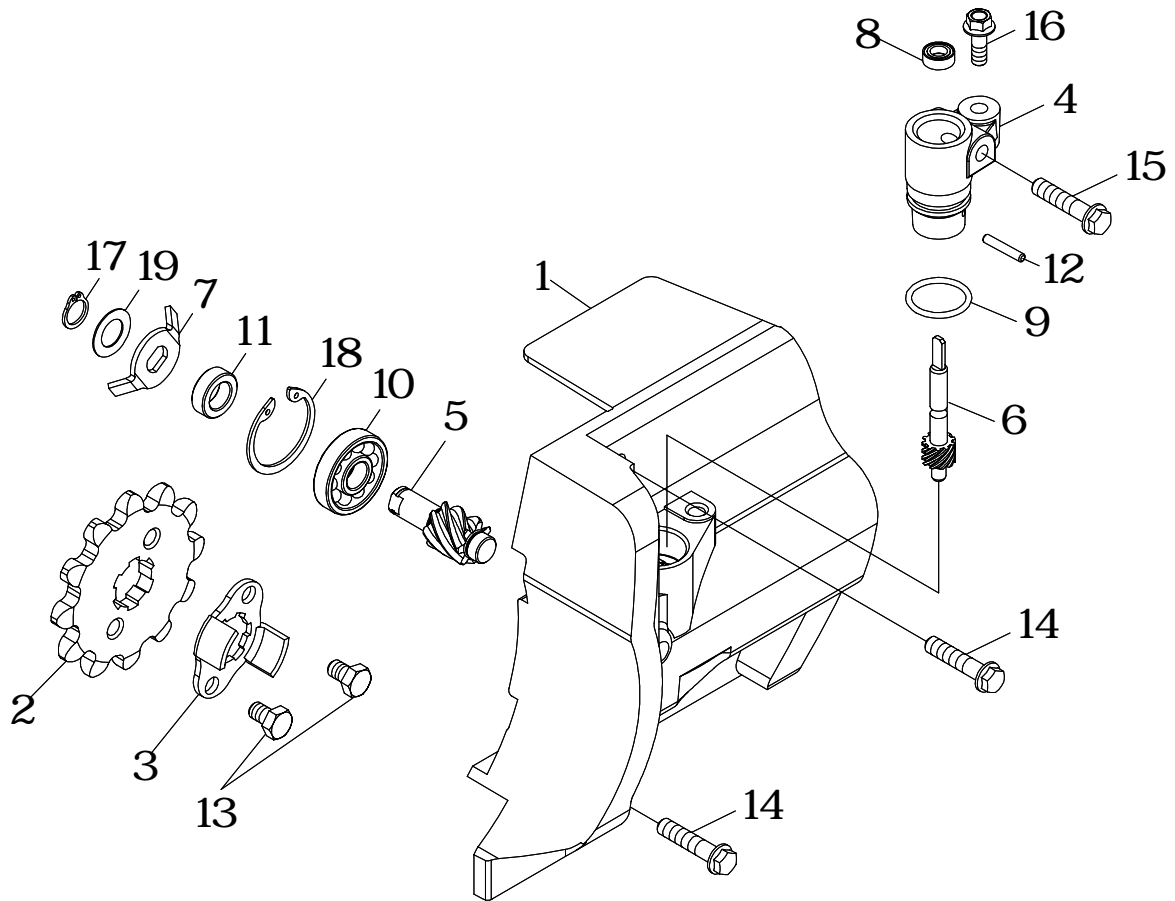
61120.CBW-00RA

WARNING



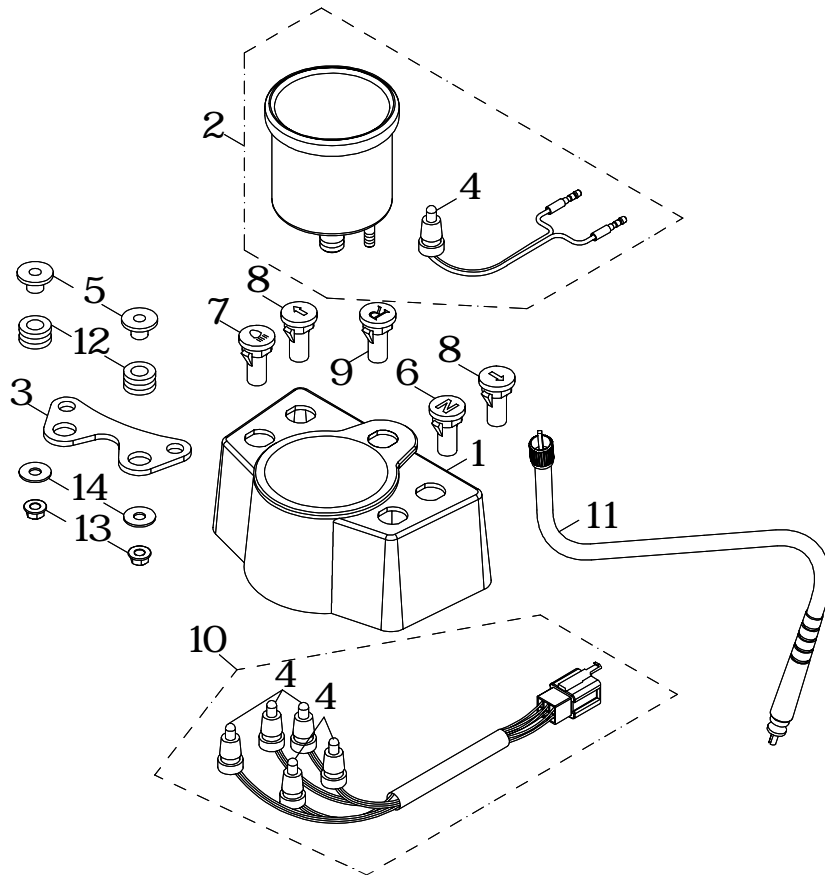
NO.	PARTS NO.	PARTS NAME	QTY	NOTE
1	56576-RAM-00	LABEL WARNING 3 (TIRE)	1	
2	56578-RAM-00	LABEL WARNING 2 (AGE)	1	
3	56781-RAM-01	LABEL WARNING 1 (OPERATION)	1	
4	56782-RAM-00	ATV WARN.TAG SPORT ()	1	
5	94320-32096	RIVET 3.2*9.6	14	

GEAR,SPEEDOMETER



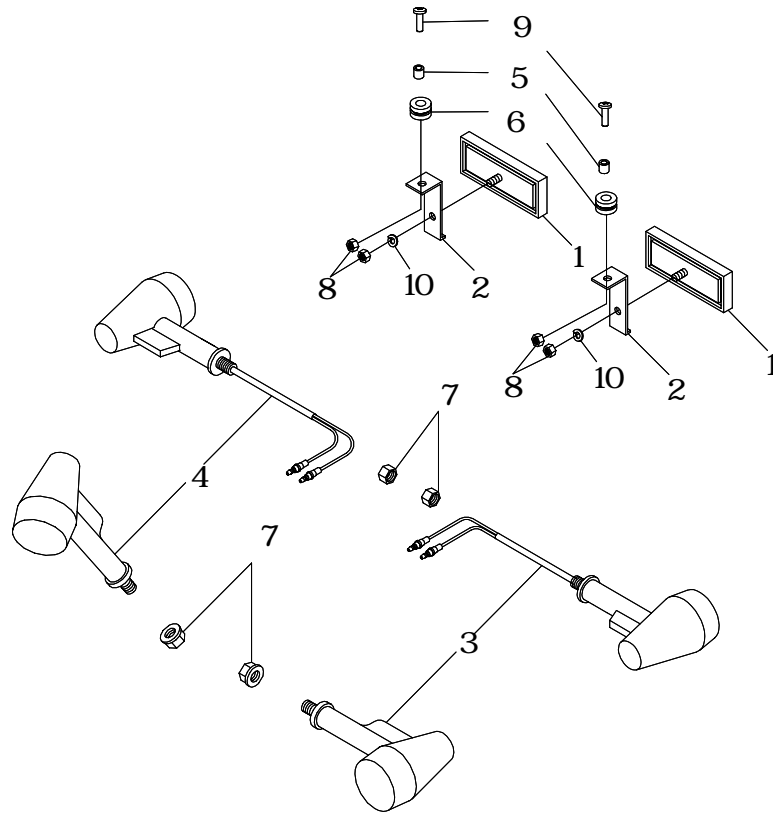
NO.	PARTS NO.	PARTS NAME	QTY	NOTE
1	15421-CBT-01	COVER,L REAR CRANKCASE	1	
2	25711-CBT-00	SPROCKET DRIVE (12T)	1	
3	25716-RAM-00	PLATE, FIXING	1	
4	42563-GOO-00	GEAR,SPEEDOMETER BODY	1	
5	45835-CBT-00	GEAR DRIVE (8T)	1	
6	45838-RAM-00	GEAR,SPEEDOMETER (10T)	1	
7	45849-CBT-00	CLUTCH SPEEDOMETER	1	
8	93110-06114	OIL SEAL VC 6*11*4	1	
9	93210-19178	O-RING 1.9*17.8	1	
10	93320-103009U	BEARING,RADIAL BALL 6200LUCS05/2A	1	
11	93510-101706-B	COLLAR	1	
12	94510-30018	PIN,DOWEL 3*18	1	
13	93210-06010-B	BOLT,HEXAGON 6*10	2	
14	96411-06020-B	BOLT,FLANGE 6*20	2	
15	96414-06020-B	BOLT,FLANGE 6*20	1	
16	96414-06025-B	BOLT,FLANGE 6*25	1	
17	97010-10010-K	CIRCLIP STW-10	1	C
18	97012-30012-K	CIRCLIP RTW-30	1	C
19	97201-101805	WASHER,PLATE 10.5*18*0.5	1	

SPEEDOMETER



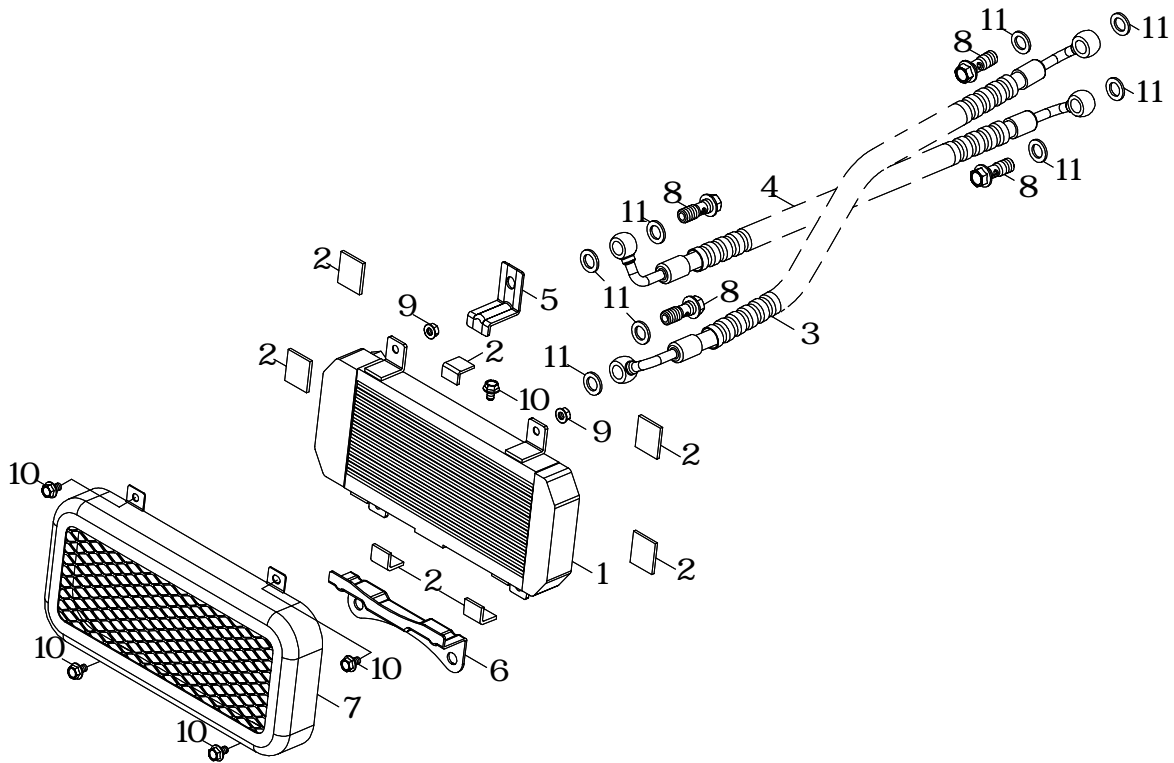
NO.	PARTS NO.	PARTS NAME	QTY	NOTE
1	55213-CBW-00	PROTECTOR, HANDLEBAR	1	
2	55510-CBW-00	SPEEDOMETER ASS'Y	1	
3	55516-CBW-00	HOLDER, SPEEDOMETER	1	
4	55517-CBW-00	BULB, WEDGE BASE (12V/1.2W)	6	
5	55545-CHP-00	COLLAR, SPEEDOMETER	2	
6	55551-CBW-00	INTERVAL LENS	1	
7	55552-CBW-00	FAR LIGHT LENS	1	
8	55553-CBW-00	FLASHER LENS	2	
9	55554-CRS-00	FAR LIGHT LENS	1	
10	55556-CBW-01	WMRE, GUIDING LIGHTS	1	
11	61520-RAM-01	CABLE, SPEEDOMETER ASS'Y	1	
12	93580-81609	GROMMET	2	
13	95401-050805-B	NUT, FLANGE	2	
14	97201-051610-B	WASHER, PLATE 5.3* 16* 1	2	

FLASHER



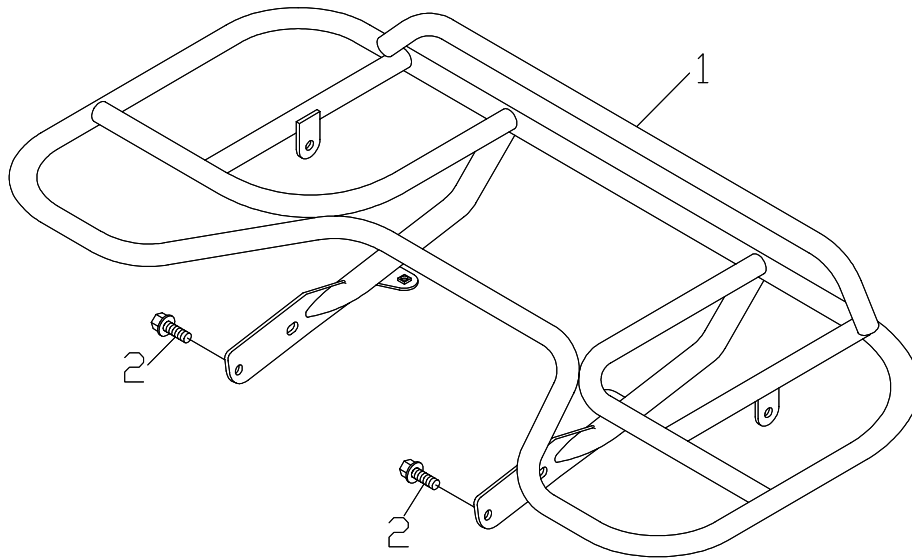
NO.	PARTS NO.	PARTS NAME	QTY	NOTE
1	55722-SAF-00	REFLECTOR	2	
2	55724-RAM-00	STAY, REFLECTOR	2	
3	55750-RAM-00	WINKER ASS'Y, L REAR	2	
4	55760-RAM-00	WINKER ASS'Y, R REAR	2	
5	93560-68509	COLLAR	2	
6	93580-81610	GROMMET	2	
7	95201-101408-B	NUT, HEXAGON	4	
8	95401-061006-B	NUT, FLANGE	4	
9	96318-06020-B	SCREW, PAN HEAD	2	
10	97301-061215-B	WASHER, SPRING 6* 11.5* 1.5	2	

RADIATOR



NO.	PARTS NO.	PARTS NAME	QTY	NOTE
1	43310-CBT-00	RADIATOR	1	
2	43313-CBT-00	RADIATOR CUSHION	7	
3	43320-CBT-00	RADIATOR HOSE UPPER	1	
4	43325-CBT-00	RADIATOR HOSE LOWER	1	
5	43331-CBT-00	RADIATOR, UPPER STAND	1	
6	43336-CBT-00	RADIATOR, LOWER STAND	1	
7	43340-CBT-00	RADIATOR DEFEND	1	
8	94716-12032-G	BOLT, KEYHOLE 12*32	4	
	94716-12030-C	BOLT, KEYHOLE	4	
9	95401-061007-C	NUT, FLANGE M6* 1.0	4	
10	96414-06012-B	BOLT, FLANGE 6*12	5	
11	97231-122020	WASHER, ALUMINUM 12.3*20*2	8	
	97230-122010	WASHER, COPPER	8	

CARRIER, REAR



NO.	PARTS NO.	PARTS NAME	QTY	NOTE
1	52850-RAM-03	CARRIER, REAR	1	
2	96414-08016-B	BOLT, FLANGE	4	